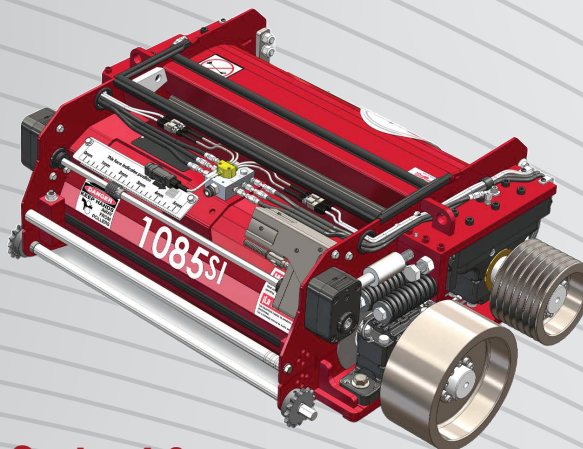


Claas-Compatible Kernel Processors

Scherer Inc. has the Kernel Processor that custom harvesters and nutritionists demand for increasing milk production and boosting the bottom line. Improve your KP score with exceptional processing of kernels and cobs. Scherer Kernel Processors will manage all your desired crop lengths.

Scherer Inc. has been producing replacement kernel processor rolls for Claas forage harvesters, since 1999. In 2002, Scherer Inc. started manufacturing aftermarket up-grade Kernel Processors to fit the Claas Jaguar forage harvesters. We have them all covered, from the early 487 series to the current day 502 series machines.



All Scherer kernel processors offer advanced, high-performance features, including:

KP features:

- 11" Diameter Rolls (279mm)
- Hinge-open frame for serviceability
- Saw-Tooth, Twin Cut and Cereal Grain configurations available
- Oil bath bearing or grease lubricated
- Gear box KP gap adjustment
- 60mm bearings
- 50% speed differential (standard), 40% & 30% options available
- Roll shafts are replaceable
- Heat treated hardened chrome plated rolls
- Dual plane dynamically balanced

Sentry 4.0:

- Touch screen
- Extended Sentry for monitoring blower & cutter drum bearings
- Air dryer power and programming
- Remote KP gap adjustment from cab

Beyond that, each model is a bit different from the others. To find the right KP for your purposes, look through the features lists.

Model	Compatibility	Roll Size	Configurations	Shaft Size	Temp Monitoring	Lubrication	Tooth Combo
S780	487-493 Series	8"	Saw-tooth, twin cut	1-15/16"	No	Grease only	85,110,125
S880	491,492,493 Series	9"	Saw-tooth, twin cut	55mm	Yes	Oil/Grease	95,120,150
S975	494 Series, (2008-2011 MY only)	10"	Saw-tooth, twin cut	60mm	Yes	Oil/Grease	110,145,165
S980	494 Series, (2012 MY to current)	10"	Saw-tooth, twin cut	60mm	Yes	Oil/Grease	110,145,165
1085si	494 Series, (2012 MY to current)	11"	Saw-tooth, twin cut, Spiral Sawtooth & Spiral Twin-cut	60mm	Yes	Oil/Grease	120,160,180
1085si-FS Forage Sorghum	494 Series, (2012 MY to current)	11"	Saw-tooth, twin cut, Spiral Sawtooth & Spiral Twin-cut	60mm	Yes	Oil/Grease	Proprietary setup



For more information about the **Scherer Kernel Processors**, please contact us at **800.883.9790**, or visit us at **SchererInc.com**

